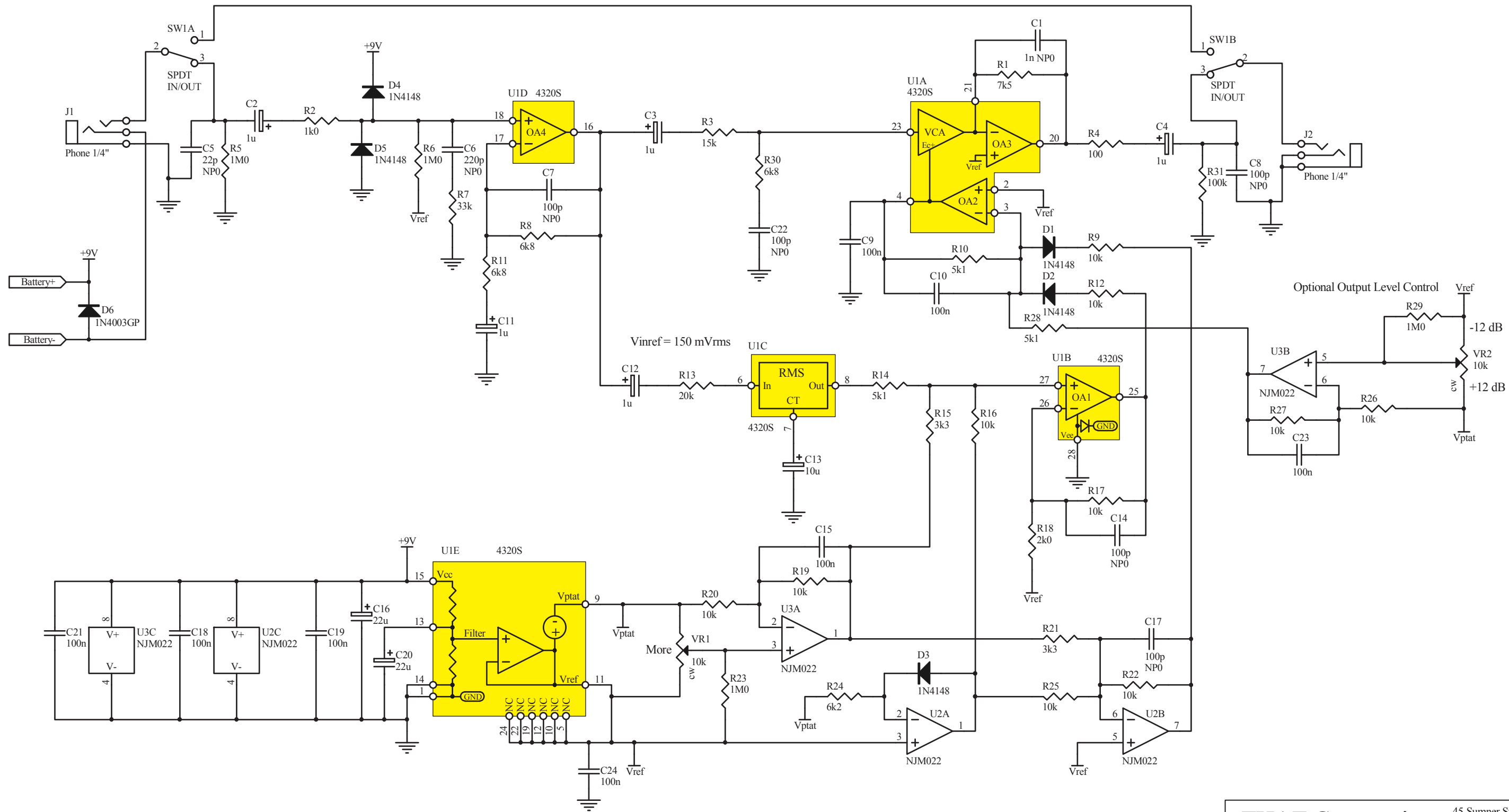


This document and the data disclosed herein or herewith is not to be reproduced, used, or disclosed in whole or in part to anyone without the written permission of THAT Corporation.

Rev	Description	Date	Approved



THAT Corporation 45 Sumner Street
Milford, MA 01854
508-478-9200

Release Approvals		Title:	
Proj. Eng.:	Date:	Battery-Powered One Knob Squeezer	
Production:	Date:	Size: B	Drawing Number: *
QA:	Date:	Date: 1/15/2015	Drawn by: GKH
		Revision: 01	Sheet * of *