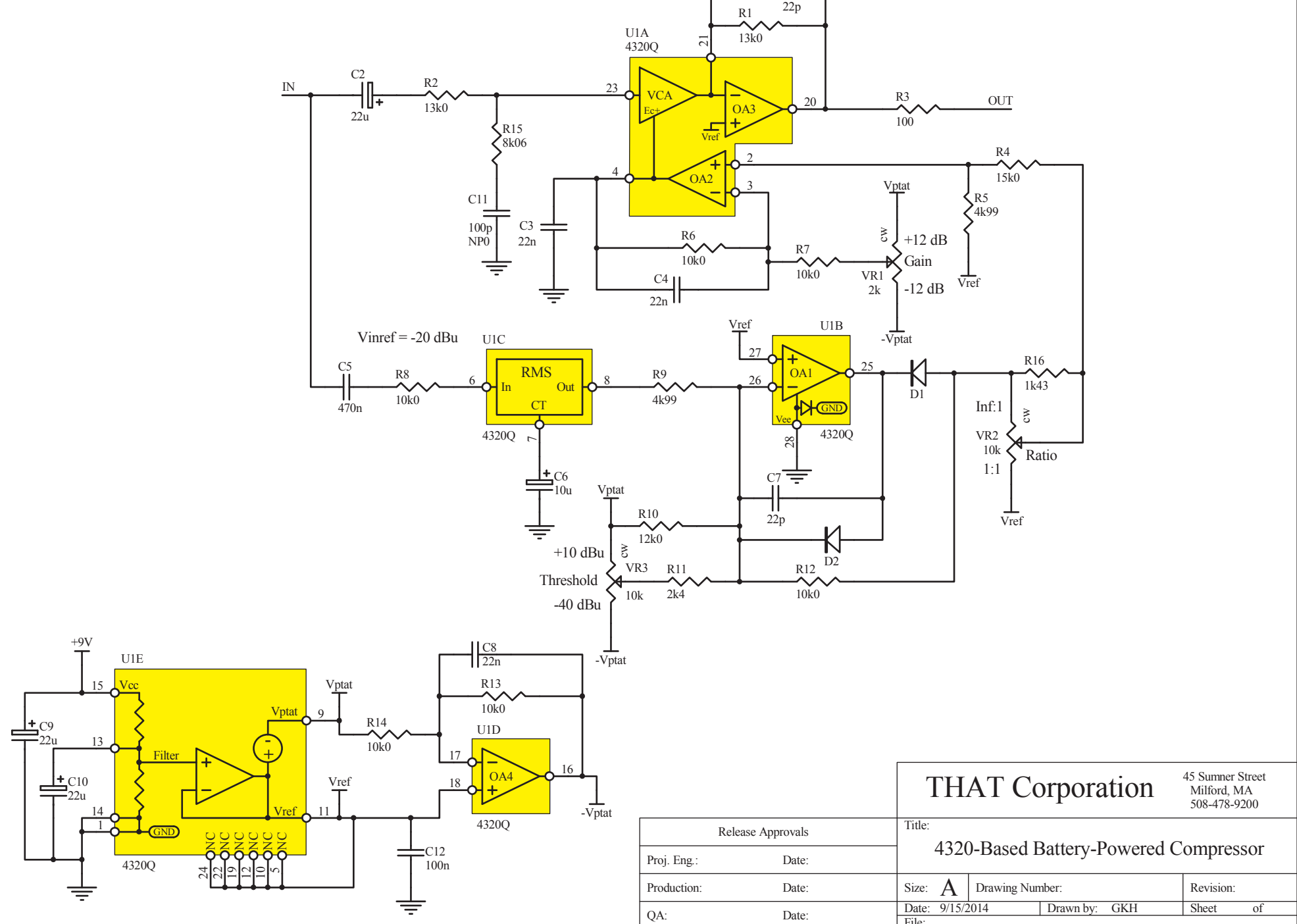


This document and the data disclosed herein or here with is not to be reproduced, used, or disclosed in whole or in part to anyone without the written permission of THAT Corporation.

Rev	Description	Date	Approved



<p style="text-align: center;">THAT Corporation</p> <p style="text-align: right;">45 Sumner Street Milford, MA 508-478-9200</p>		Title:	
		4320-Based Battery-Powered Compressor	
Release Approvals		Size: A	Drawing Number:
Proj. Eng.:	Date:	Revision:	
Production:	Date:	Date: 9/15/2014	Drawn by: GKH
QA:	Date:	Sheet of	
		File:	