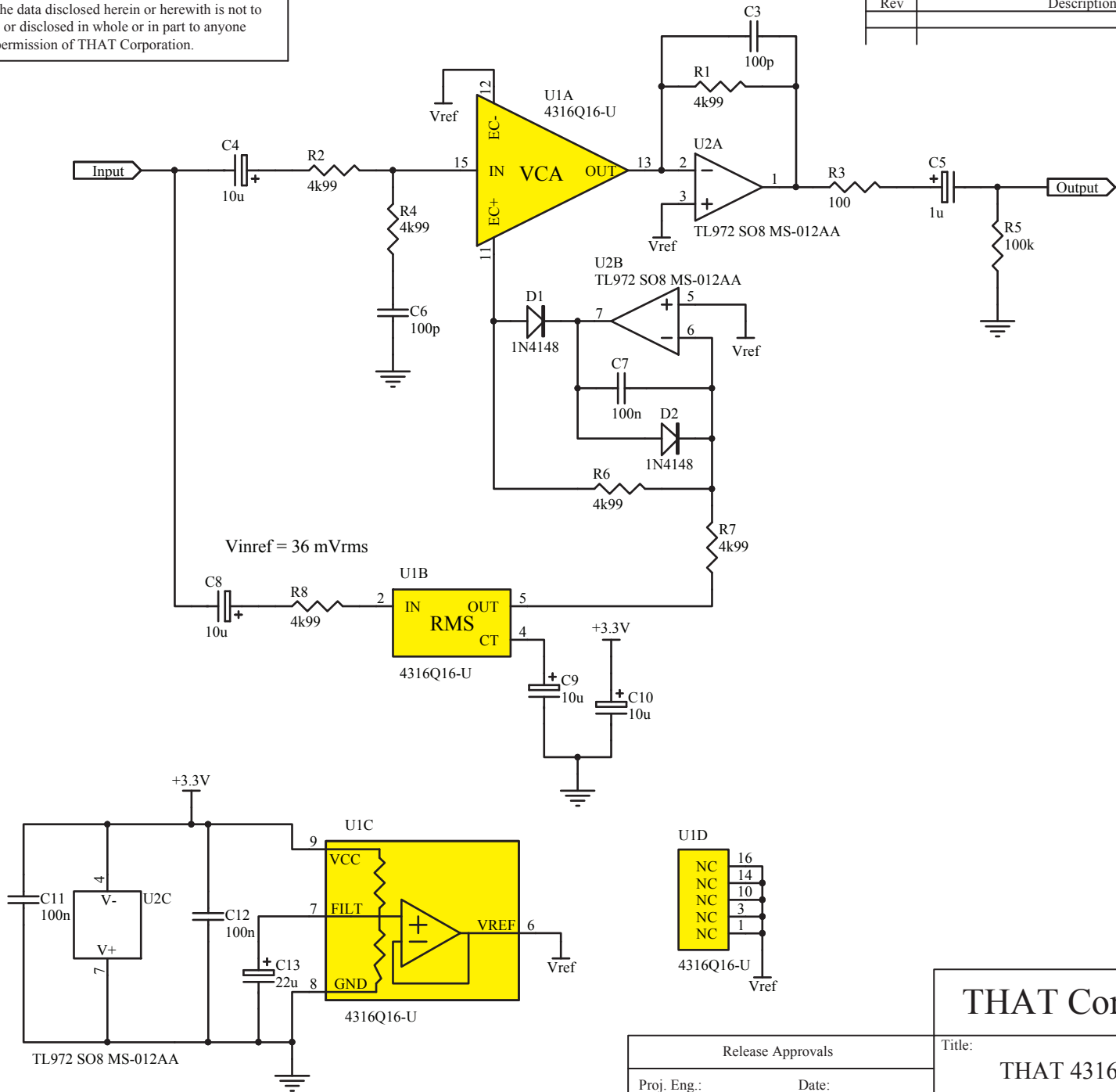


This document and the data disclosed herein or herewith is not to be reproduced, used, or disclosed in whole or in part to anyone without the written permission of THAT Corporation.

Rev	Description	Date	Approved



THAT Corporation
 45 Sumner Street
 Milford, MA
 508-478-9200

Release Approvals		Title:	
Proj. Eng.:	Date:	THAT 4316 Based Simple Limiter	
Production:	Date:	Size: A	Revision: 00
QA:	Date:	Date: 8/1/2016	Drawn by: GKH
		Sheet 1 of 1	