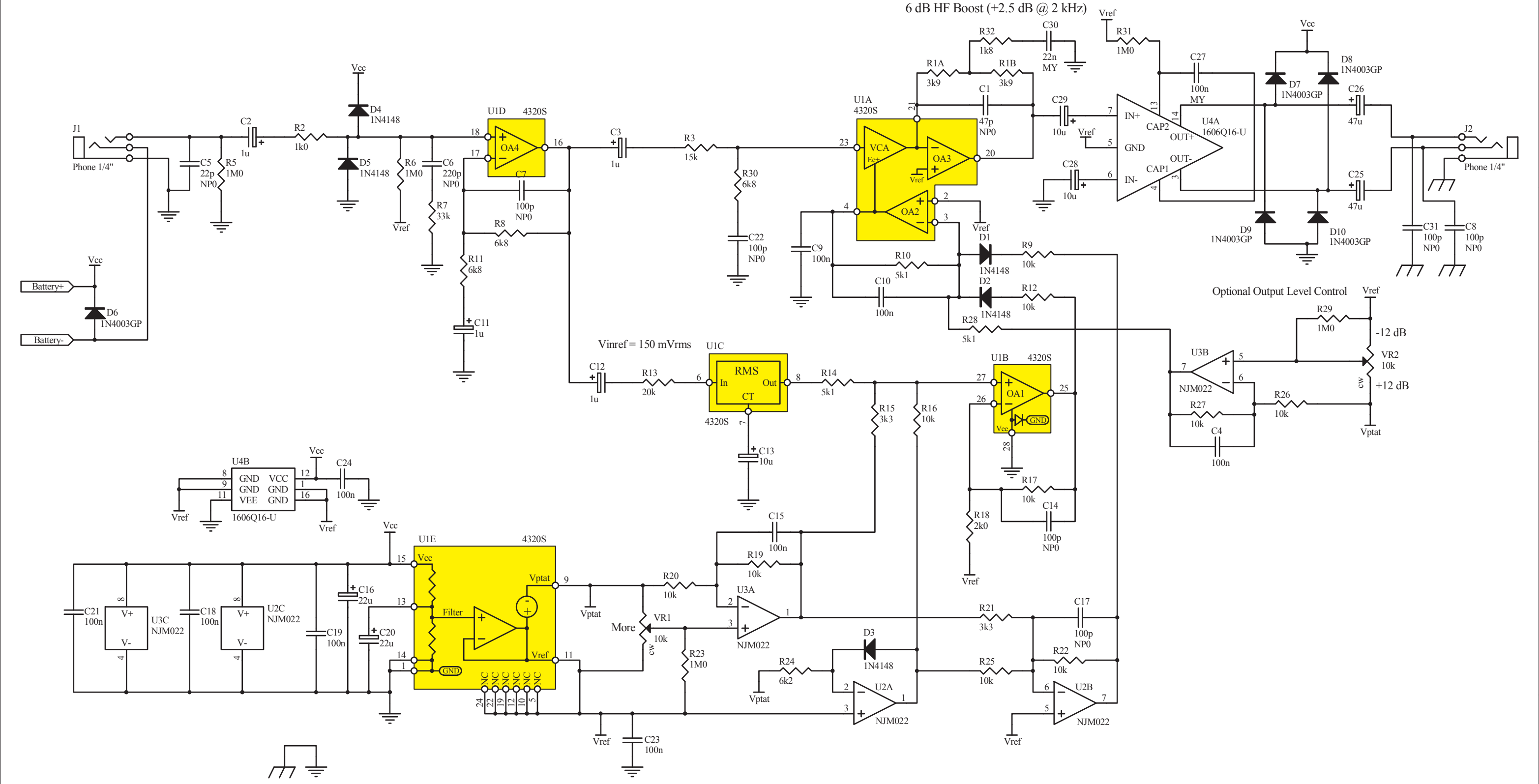


This document and the data disclosed herein or herewith is not to be reproduced, used, or disclosed in whole or in part to anyone without the written permission of THAT Corporation.

Rev	Description	Data	Approved



THAT Corporation
 45 Sumner Street
 Milford, MA
 508-478-9200

Release Approvals		Title: One Knob Squeezer with Balanced Out		
Proj. Eng.:	Date:	Size: B	Drawing Number: 330xxx	Revision: 01
Production:	Date:	Date: 1/15/2015	Drawn by: GKH	Sheet 1 of 1
QA:	Date:	File:		