

This document and the data disclosed herein or herewith is not to be reproduced, used, or disclosed in whole or in part to anyone without the written permission of THAT Corporation.

| Rev | Description | Date | Approved |
|-----|-------------|------|----------|
| | | | |

A

B

C

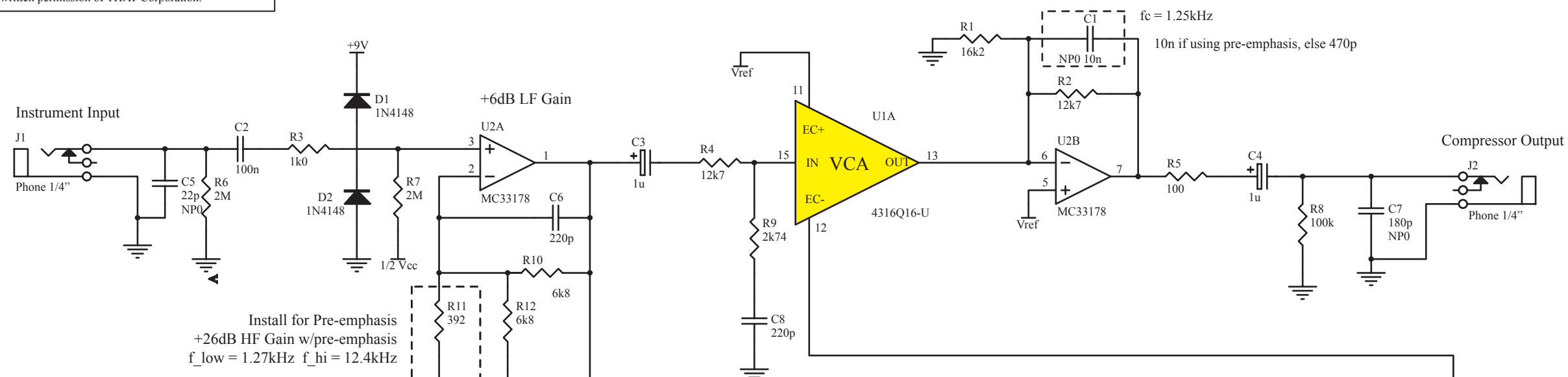
D

A

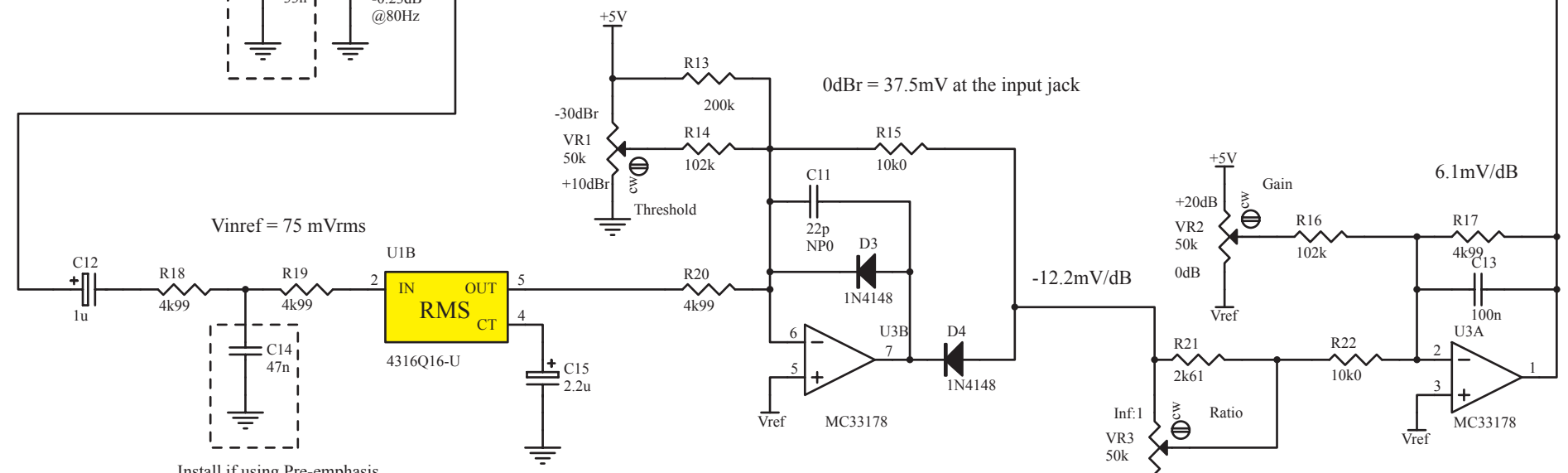
B

C

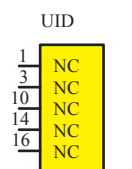
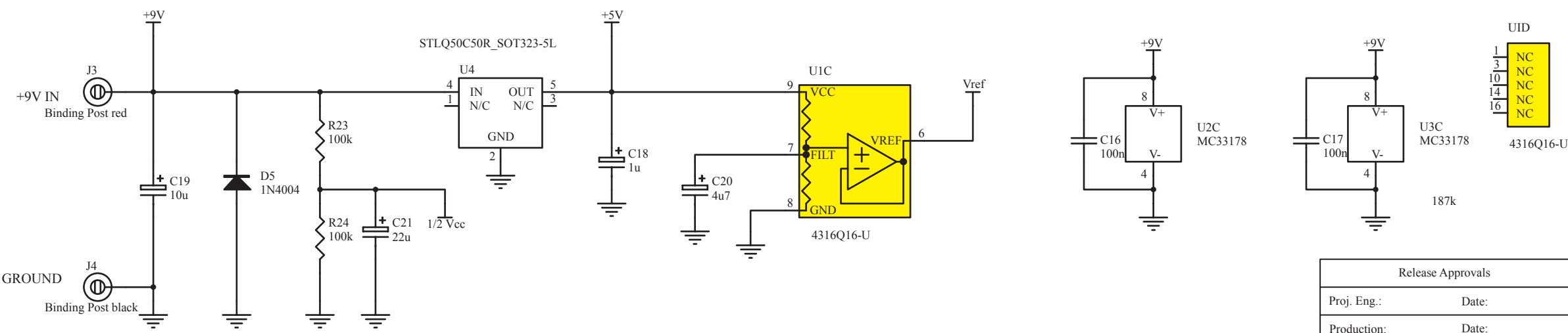
D



Install for Pre-emphasis
+26dB HF Gain w/pre-emphasis
 $f_{low} = 1.27\text{kHz}$ $f_{hi} = 12.4\text{kHz}$



Install if using Pre-emphasis



| | | | |
|--------------------------------------|-------|---|---------------------|
| THAT Corporation | | 45 Sumner Street Milford, MA 508-478-9200 | |
| Title: 4316 Guitar Compressor | | | |
| Release Approvals | | Date: | |
| Proj. Eng.: | Date: | Size: B | Drawing Number: |
| Production: | Date: | Date: 6/13/2012 | Revision: 03 |
| QA: | Date: | Drawn by: JBL | Sheet 1 of 1 |
| File: | | | |