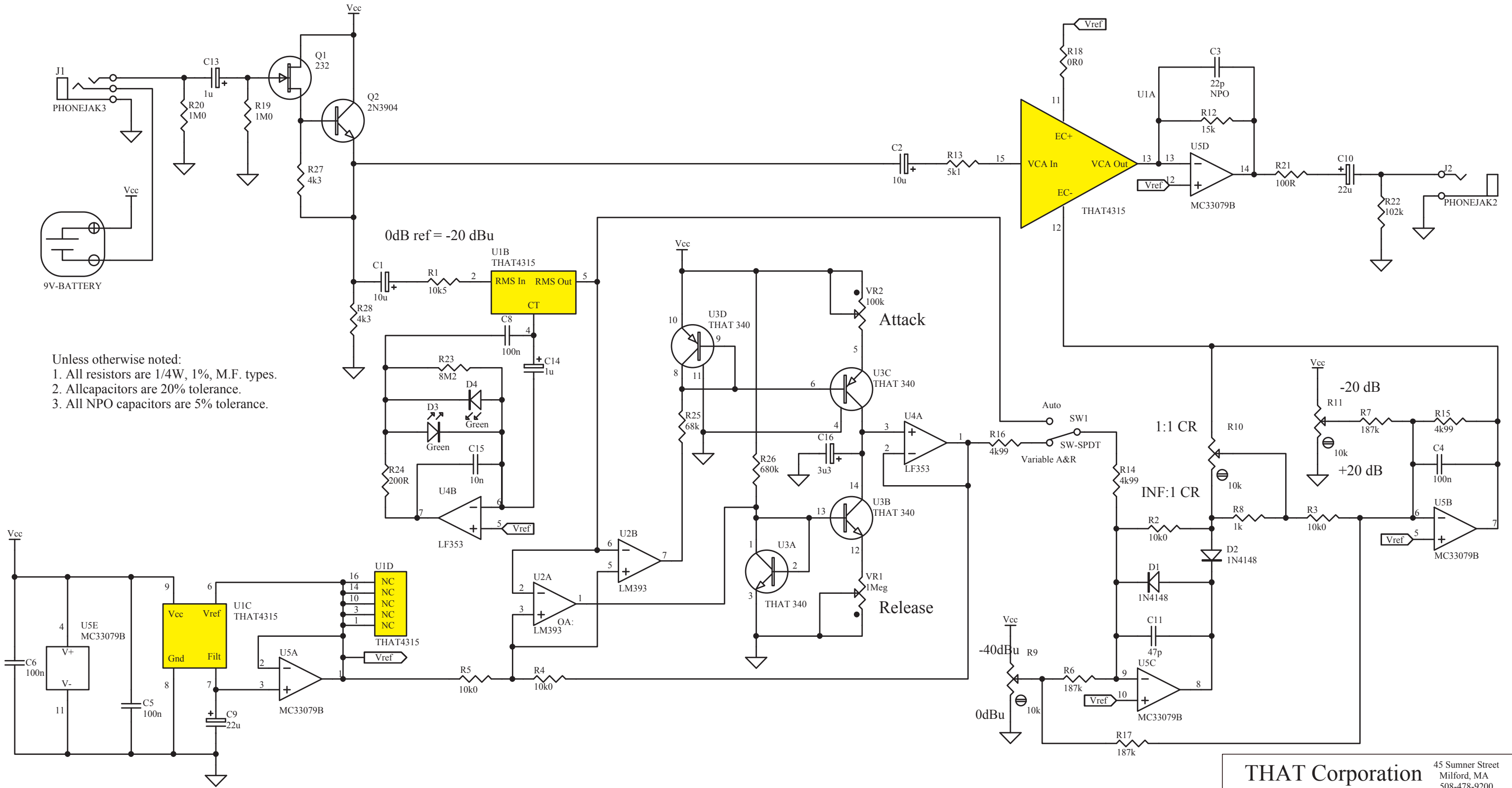


This document and the data disclosed herein or herewith is not to be reproduced, used, or disclosed in whole or in part to anyone without the written permission of THAT Corporation.

Rev	Description	Date	Approved



- Unless otherwise noted:
1. All resistors are 1/4W, 1%, M.F. types.
  2. All capacitors are 20% tolerance.
  3. All NPO capacitors are 5% tolerance.

**THAT Corporation** 45 Sumner Street  
Milford, MA 01850  
508-478-9200

Checked:	Date:	Title: Variable Attack and Release with a THAT 4315 (Compressor)		
Proj. Eng.:	Date:	Size: <b>B</b>	Drawing Number: <b>330xxx</b>	Revision: <b>0a</b>
Chf. Eng.:	Date:	Date: 21-Dec-2005	Drawn by: f.w.t.	Sheet 1 of 1
Production:	Date:	File:		