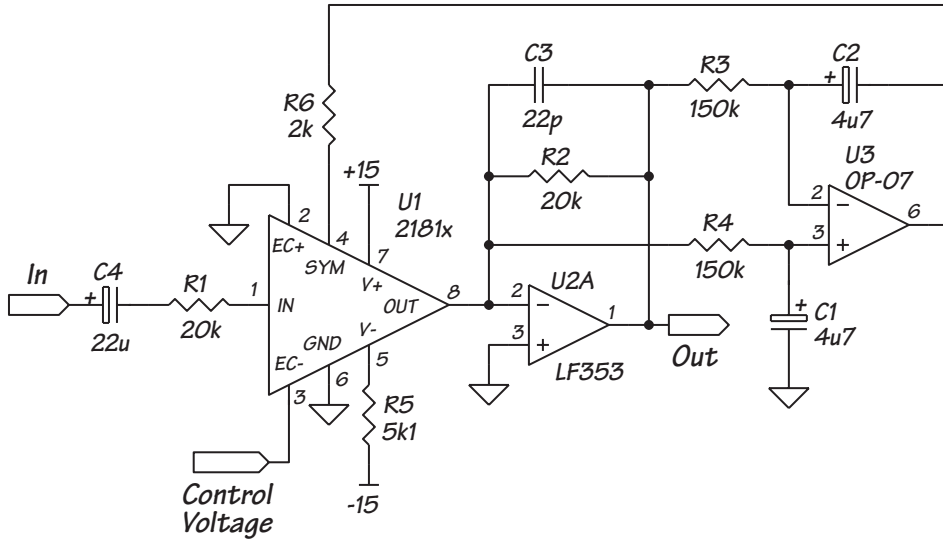


THAT Corporation
Errata - Applications Notebook Volume 2

In Design Note 121: VCA Symmetry Auto-Trim Circuit.

On page 5, Figure 1. The basic method for implementing an “auto-symmetry” circuit was omitted. Here it is:



In Design Note 125: The “One Knob Squeezer”

On page 28, Figure 7 has an error. R15 should be connected to the other side of R16 as shown here:

